

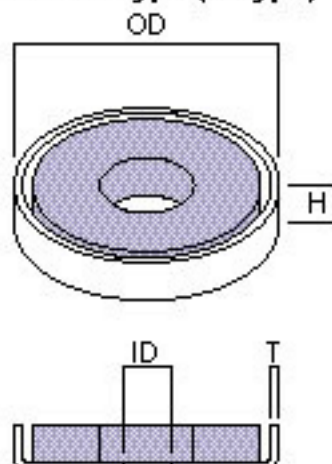
- › Home
- › Magnetic Assemblies
- › Specification of Magnets
 - Ferrite Magnet
 - NdFeB Magnet
 - SmCo Magnet
 - Alnico Magnet
- › Process pieces
- › Other products

Specification of Magnets >> Ferrite Magnet

Cap Magnet

Round Type (R Type) | Square Type(L Type) | Square Type(L Type with Double Faced Adhesive Tape)

Round Type (R Type)

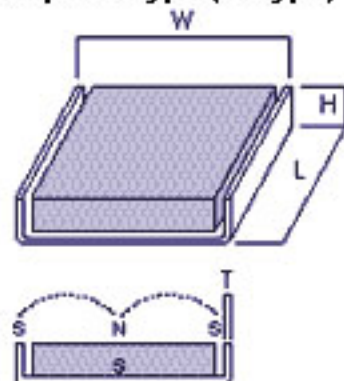


Code	OD × H × [ID]	T	Holding Force	Remarks
12R	12.3Φ × 3.7	0.5	0.3kg	Zn plated/ Unichrome treated
B12R	12.3Φ × 3.7	0.5	0.1kg	Zn plated/ Unichrome treated/ Isotropic Ba-Ferrite
B15R	15Φ × 4	0.8	0.2kg	Zn plated/ Unichrome treated/ Isotropic Ba-Ferrite
16R	16Φ × 3 (2.7Φ)	0.7	0.5kg	Zn plated/ Unichrome treated
18R	17.5Φ × 5	0.7	0.8 kg	Zn plated/ Unichrome treated
B18R	17.5Φ × 5	0.8	0.4 kg	Zn plated/ Unichrome treated/ Isotropic Ba-Ferrite
20R	19.8Φ × 4 (3.5Φ)	0.8	1.5 kg	Zn plated/ Unichrome treated
23R	22.8Φ × 5.2	1.0	2.2 kg	Zn plated/ Unichrome treated
23RH	22.8Φ × 5 (5Φ)	0.9	2.2 kg	Zn plated/ Unichrome treated
24R	23.5Φ × 5	0.8	2.4 kg	Zn plated/ Unichrome treated
B24R	23.5Φ × 5	0.8	0.5 kg	Zn plated/ Unichrome treated/

25R	25.5Φ × 5 (3.2Φ)	0.8	1.8 kg	Zinc black coating
28R	28.8Φ × 5.6	1.0	3.5 kg	Zn plated/ Unichrome treated
B28R	28.8Φ × 5.6	1.0	1.5 kg	Zn plated/ Unichrome treated/ Isotropic Ba-Ferrite
32R	31.5Φ × 4.7 (4.3Φ)	0.8	4.0 kg	Zn plated/ Unichrome treated
B32R	31.5Φ × 4.7	0.8	1.6 kg	Zn plated/ Unichrome treated/ Isotropic Ba-Ferrite
36R	36Φ × 7.5	1.6	6.0 kg	Zn plated/ Unichrome treated
36RH	36Φ × 7.5 (4.2Φ)	1.6	6.0 kg	Zn plated/ Unichrome treated
44R	44Φ × 8 (M4)	1.6	11.0 kg	Zn plated/ Unichrome treated
B44R	44Φ × 8 (M4)	1.6	2.5 kg	Zn plated/ Unichrome treated/ Isotropic Ba-Ferrite
50R	50Φ × 8.5 (5Φ)	1.6	14.0 kg	Zn plated/ Unichrome treated
52R	51.5Φ × 7.9 (4.9Φ)	1.6	15.0 kg	CR plated
66R	66Φ × 9.8 (9.5Φ)	2.0	25.0 kg	CR plated
66RS	66Φ × 9.8 (6.2Φ)	2.0	25.0 kg	CR plated
77R	76.5Φ × 11 (6.2Φ)	2.0	35.0 kg	CR plated
78R	78Φ × 11 (8Φ\3Φ)	2.0	35.0 kg	Zn plated/ Unichrome treated
80R	80Φ × 12.7 (10.2Φ)	2.0	40.0 kg	CR plated
80RS	80Φ × 10.5 (7.2Φ)	2.0	40.0 kg	CR plated
98R	98Φ × 12.5 (9.5Φ)	2.0	50.0 kg	CR plated
125R	124.5Φ × 12.4 (12.7Φ)	2.0	100.0 kg	CR plated

- Cap Material,SPCC
- The magnetic absorption is a value for reference (Measured by Imada Digital Force Gage)

Square Type (L Type)

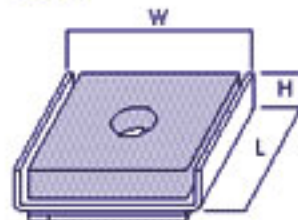


Code	L × W × H	T	Holding Force	Remarks
20L	20 × 8.4 × 4.2	0.6	0.8kg	Zn plated/ Unichrome treated
24L	24 × 12 × 5.1	0.8	2.0kg	Zn plated/ Unichrome treated
25LH	25.5 × 23.5 × 6.5 (6Φ)	1.4	3.0kg	Zn plated/ Unichrome treated
25L	25.5 × 23.5 × 6.5	1.4	3.5kg	Zn plated/ Unichrome treated
26L	25.5 × 11 × 6.5	1.0	2.0kg	Zn plated/ Unichrome treated
32LH	32 × 15.7 × 7.8(3.2Φ)	1.5	1.0kg	Zinc yellow coating
36L	36 × 21 × 6	1.0	3.5kg	Zn plated/ Unichrome treated
43LH	43 × 30.2 × 7(6Φ)	1.6	8.5kg	Zn plated/ Unichrome treated
43L	42.8 × 28 × 6.5	1.2	8.0kg	Zinc yellow coating
45L	45 × 30 × 7	1.6	13.0kg	Zn plated/ Unichrome treated
49L	49 × 41 × 13	2.0	20.0 kg	Zn plated/ Unichrome treated
49LH	49 × 41 × 12.8(M5)	2.0	17.0kg	Zn plated/ Unichrome treated
60L	60 × 23.8 × 6.8	1.4	13.0kg	Zn plated/ Unicrome treated/ A square hole on each end
79L	79 × 38 × 13	2.0	23.0kg	Zn plated/ Unicrome treated/ A square hole on each end
90L	90 × 18.8 × 6	1.2	9.0kg	Zn plated/ Unicrome treated/ A 3.5Φ hole on each side

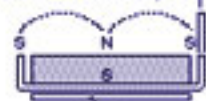
- Cap Material,SPCC
- The magnetic absorption is a value for reference (Measured by Imada Digital Force Gage)

Square Type (L Type with Double Faced Adhesive Tape)

28LF

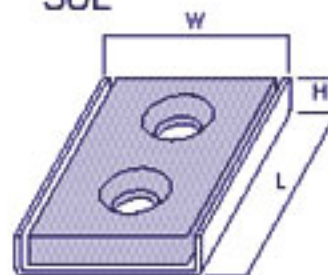


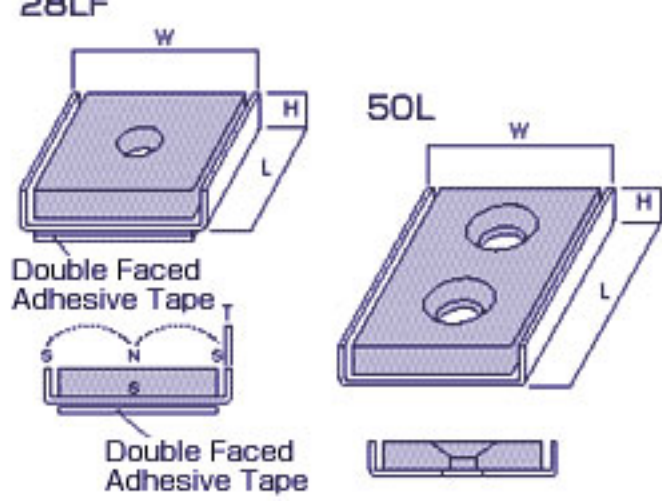
Double Faced
Adhesive Tape



Double Faced
Adhesive Tape

50L





Code	L × W × H	T	Holding Force	Remarks
28LF	28.5 × 15.5 × 4.5	1.2	2.0kg	Double faced adhesive tape/ Zinc black coating
43.5L	43.5 × 30.1 × 7	1.5	6.0kg	Double faced adhesive tape/ Protect Film covered/ Zn plated/ Unicrome treated
48L	48 × 45 × 12.5	2.0	18.0kg	Double faced adhesive tape/ Protect Film covered/ Zn plated/ Unicrome treated
50L	50 × 27 × 12 (5Φ × 2)	1.6	14.0kg	M4 Counter sunk/ Zn plated
45LP	45 × 30 × 7	1.6	13.0kg	Double faced adhesive tape/ Protect Film covered/ Zn plated/ Unicrome treated
47LP	46.8 × 30 × 7.7	1.8	13.0kg	Zn plated/ Unicrome treated/ Protect Film covered/ 2 claws on one side
51LP	51 × 30.4 × 2	1.5	13.0kg	Zn plated/ Unicrome treated/ Protect Film covered
80L	80 × 25 × 7.1	1.6	17.0kg	Zinc yellow coating/ Protect Film covered

- Cap Material,SPCC
- The pitch between two holes of 50L type is 25. The double faced adhesive tape is a VHB tape, produced by Sumitomo 3M
- The magnetic absorption is a value for reference (Measured by Imada Digital Force Gage)