

Home
Magnetic Assemblies

- Pot Magnet
- Bar Magnet
- Square Magnet
- Horseshoe Magnet
- Magnetic stand
- Magnetic Chuck
- Magnetic Sweepers
- Pull-and-Push Magnetic Attractor
- Magnetic door suction
- Magnetic Separator
- Lifting Magnets

Specification of Magnets
Process Pieces
Other Products

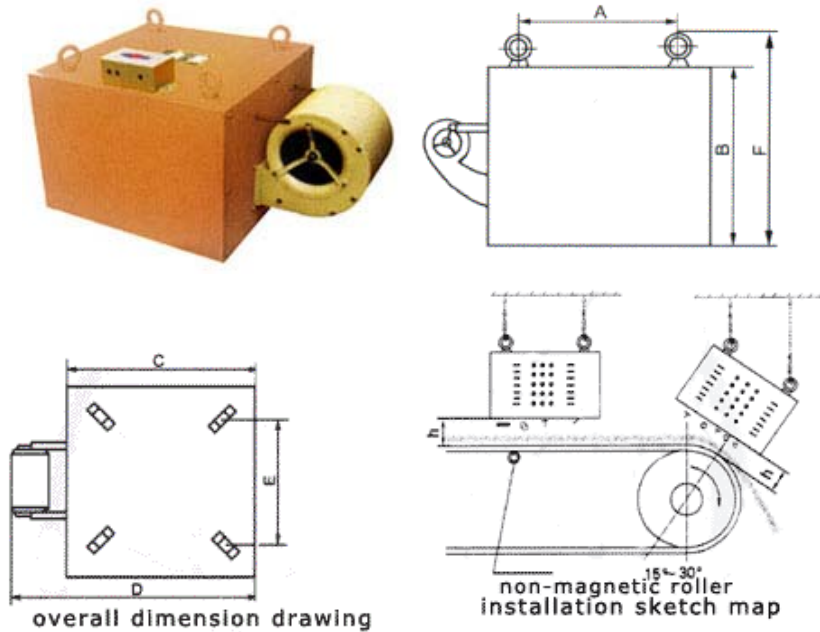
Magnetic Assemblies >> Magnetic Separator

Series PCDA Wind-Cooled Electromagnetic Separator

Specification: Series PCD Electromagnetic Tramp Iron Separator

Product Introduction:

It features with operation-simple, use-convenience with the inner blower in the good environment. It can protect the equipment such as crusher, conveyor and so on from ruining.



Technical Parameters

Item Parameter	Width adaptive mm	Suspension Height Rated mm(H)	Magnetic intensity \geq mT	Thickness \leq mm	Driven Power \leq kw	Excitation Power \leq kw	Belt Speed Adaptive \leq m/s	Weight kg	Outline dimension mm				
									A	B	C	D	E
PCDA-4	400	100	50	70	0.6	0.15	4.5	350	240	300	400	610	240
PCDA-5	500	150	60	90	1	0.15		450	340	430	500	710	340
PCDA-6	600	175	60	120	1.6	0.37		620	500	450	600	910	500
PCDA-6.5	650	200	70	150	2	0.37		750	780	510	710	990	650
PCDA-8	800	250	70	180	4	0.37		980	870	550	810	1080	740
PCDA-10	1000	300	70	230	6	0.45		1330	1250	590	1100	1400	1040
PCDA-12	1200	350	70	280	8	0.45		1950	1400	640	1300	1600	1240
PCDA-14	1400	400	70	330	12	0.8		2870	1560	530	1460	1910	1400
PCDA-16	1600	450	70	380	15	0.8		3800	1760	530	1660	2010	1600
PCDA-18	1800	500	70	430	20	1.3		4500	2000	850	1880	2360	1800
PCDA-20	2000	550	70	470	28	1.3		6900	2200	850	2080	2560	2000